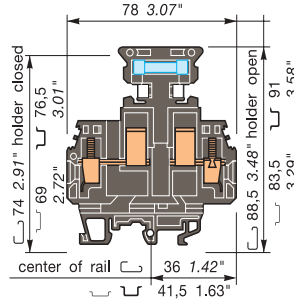


Fuse holder terminal blocks
for 6,35 x 25,4 mm 1/4 x 1 in.
and 6,35 x 32 mm 1/4 x 1 1/4 in. fuses
Compression clamp

  **DIN 1 - DIN 3**

MU 10/13.SF2

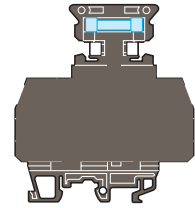
Spacing 13 mm (.512")




13 mm block for blown fuse indicator (to be ordered separately).


MU 10/14,5.SF2

Spacing 14,5 mm (.570")



14,5 mm block for blown fuse indicator (to be ordered separately).

Color	Type	Part numbers
Black V0	 MU 10/13.SF2	0199 014.11

Color	Type	Part numbers
Black V0	 MU 10/14,5.SF2	0199 013.10

Characteristics






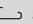
Wire size	NFC DIN			UL	CSA
	Compression	Solid wire	0,5-16 mm ²	22-10 AWG	6 AWG max.
clamp	Stranded wire	0,5-10 mm ²	22-10 AWG	6 AWG max.	

Characteristics

Wire size	NFC DIN			UL	CSA
	Compression	Solid wire	0,5-16 mm ²	22-10 AWG	6 AWG max.
clamp	Stranded wire	0,5-10 mm ²	22-10 AWG	6 AWG max.	

Voltage			
Rated	750 V Gr.C (1)	600 V (1)	600 V (1)
Pulse			
Pollution degree			
Current			
Rated	16 A	16 A	16 A
Wire size			
Rated / Gauge	10 mm ²	10 AWG	6 AWG
Wire stripping length	Recomm. screwdriver	Recomm. torque	Protection
12 mm .47"	5,5 mm .22"	1,2-1,4 Nm 10.6-12.3 lb.in	IP 20 NEMA 1

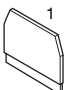



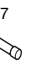




Voltage			
Rated	750 V Gr.C (1)	600 V (1)	600 V (1)
Pulse			
Pollution degree			
Current			
Rated	16 A	16 A	16 A
Wire size			
Rated / Gauge	10 mm ²	10 AWG	6 AWG
Wire stripping length	Recomm. screwdriver	Recomm. torque	Protection
12 mm .47"	5,5 mm .22"	1,2-1,4 Nm 10.6-12.3 lb.in	IP 20 NEMA 1

End stop		th. 9,1 mm	BADL	V0	0199 408.02
End stop		th. 9,1 mm	BAM		0103 002.26
Other end stops : See Accessories section					
Rail		35 x 7,5 x 1	PR30	prepunched	0173 220.05
Rail		35 x 15 x 2,3	PR4		0168 500.12
Rail		35 x 15 x 1,5	PR5	prepunched	0101 598.26
Rail		32 x 15	PR1Z2		0163 050.04
Other rails : See Accessories section					

Notes

The use of some accessories may decrease the block's voltage rating. For more information, consult us.

Accessories

	1 End section	black	FEM13U	V0	th. 1,5 mm	0199 635.24
	2 Test plug		FC2		DIA. 2 mm	0007 865.26
	3 Test socket		FC4		DIA. 4 mm	0167 860.01
	4 Standard jumper bar		AL2		DIA. 2 mm	0163 043.21
	5 Screw for BJ		AL3		DIA. 3 mm	0163 261.00
	6 Washer for BJ		AL4		DIA. 4 mm	0163 262.01
	7 Fuse 6,35 x 32 mm	Quick blow fuse cartridge as per UTE 93435	BJS131		10 poles	0175 991.11
	8 Blown fuse indicator		VJS11			0163 394.26
	R See section on marking method		RDJ11			0168 783.01
			FU633		6,35 x 32	
					0,25 A	0168 554.03
					0,63 A	0168 555.04
					1 A	0168 556.05
					1,6 A	0168 557.06
					2,5 A	0168 558.17
					4 A	0168 559.10
					6,3 A	0168 560.15
					10 A	0168 561.02
					16 A	0168 562.03
			LEN	Neon	110 - 230 VAC	0167 075.25
				Neon	480 VAC	0103 909.00
			Leakage current with neon indicator			
			< 0,5 mA (110 & 480 VAC)			
			< 0,7 mA (230 VAC)			

Type	Part numbers		
	delivered with the block		
FC2	DIA. 2 mm		0007 865.26
FC4	DIA. 4 mm		0167 860.01
AL2	DIA. 2 mm		0163 043.21
AL3	DIA. 3 mm		0163 261.00
AL4	DIA. 4 mm		0163 262.01
BJS131	10 poles		0175 991.11
VJS11			0163 394.26
RDJ11			0168 783.01
FU633	6,35 x 32		
	0,25 A		0168 554.03
	0,63 A		0168 555.04
	1 A		0168 556.05
	1,6 A		0168 557.06
	2,5 A		0168 558.17
	4 A		0168 559.10
	6,3 A		0168 560.15
	10 A		0168 561.02
	16 A		0168 562.03
LEN	Neon	110 - 230 VAC	0167 075.25
	Neon	480 VAC	0103 909.00
Leakage current with neon indicator			
< 0,5 mA (110 & 480 VAC)			
< 0,7 mA (230 VAC)			

Type	Part numbers		
	delivered with the block		
FC2	DIA. 2 mm		0007 865.26
FC4	DIA. 4 mm		0167 860.01
AL2	DIA. 2 mm		0163 043.21
AL3	DIA. 3 mm		0163 261.00
AL4	DIA. 4 mm		0163 262.01
FU633	6,35 x 32		
	0,25 A		0168 554.03
	0,63 A		0168 555.04
	1 A		0168 556.05
	1,6 A		0168 557.06
	2,5 A		0168 558.17
	4 A		0168 559.10
	6,3 A		0168 560.15
	10 A		0168 561.02
	16 A		0168 562.03
LEN	Neon	110 - 230 VAC	0167 075.25
	Neon	480 VAC	0103 909.00
Leakage current with neon indicator			
< 0,5 mA (110 & 480 VAC)			
< 0,7 mA (230 VAC)			

Note : (1) Insulation voltage of terminal block - operating voltage : In accordance with fuse rating.